

# METALFORM

[www.metalform.uk](http://www.metalform.uk)

## Profile design for innovative architecture

RP-ISO-FINELINE | System for windows, doors and narrow profile  
partition walls with excellent thermal insulation properties



METALFORM

In partnership with





# METALFORM

An innovative product,  
developed to the  
latest standards

With **RP-ISO-FINELINE**, design your own unique living spaces and create an authentic, historically influenced ambience, paired with timeless elegance and longevity.

Experience the urban charm of **loft living** and recreate their historic **industrial character**. Create a modern take on **Bauhaus style** or revive the **classical elegance** of historical buildings. The slender and narrow steel profiles are ideally suited for use in listed buildings or those worth preserving. Bring your ideas to life – **RP-ISO-FINELINE** makes it possible for you to fashion your own **unique living environments**.





METALFORM



A feeling for the meticulous adaptation of historical quality: from Wilhelminian-style villas to industrial complexes.





METALFORM



When you think "loft",  
think "RP Technik".



# METALFORM

## DESIGN FREEDOM

Release your ideas and creativity with nearly unlimited freedom. In design, steel offers the largest possible span widths with ideal stress values.

## TRANSPARENCY

Extremely slim steel profiles with minimal elevation widths allow for transparency, creating light-flooded living spaces while providing comfortable room temperatures.

## VERSATILITY

The infinite versatility of steel means it can be used in both traditional and contemporary architecture – outdoors or inside the building.

## DESIGN

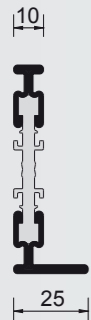
The appealing appearance of steel as a material makes it possible to create a range spanning from elegant and classical styles to modern, stylish ones.

## Advantages in focus

The narrowest profiles with excellent thermal insulation properties

### Technical properties:

- Insulation  $U_w$  value up to 0.82
- Sound insulation
- Up to class E750 water tightness
- Up to class 4 air permeability
- Up to class C5 resistance to wind load
- Solution for invisible drainage
- Longevity with strip-galvanised metal



### RP-ISO-FINELINE



- Very narrow elevation widths
- Special geometries / radii of 300 mm available
- Building width 70 mm





METALFORM



RP-ISO-FINELINE brings together art and craft, from classical to Bauhaus styles.

METALFORM





Timeless,  
classical elegance —  
forever  
unforgettable.

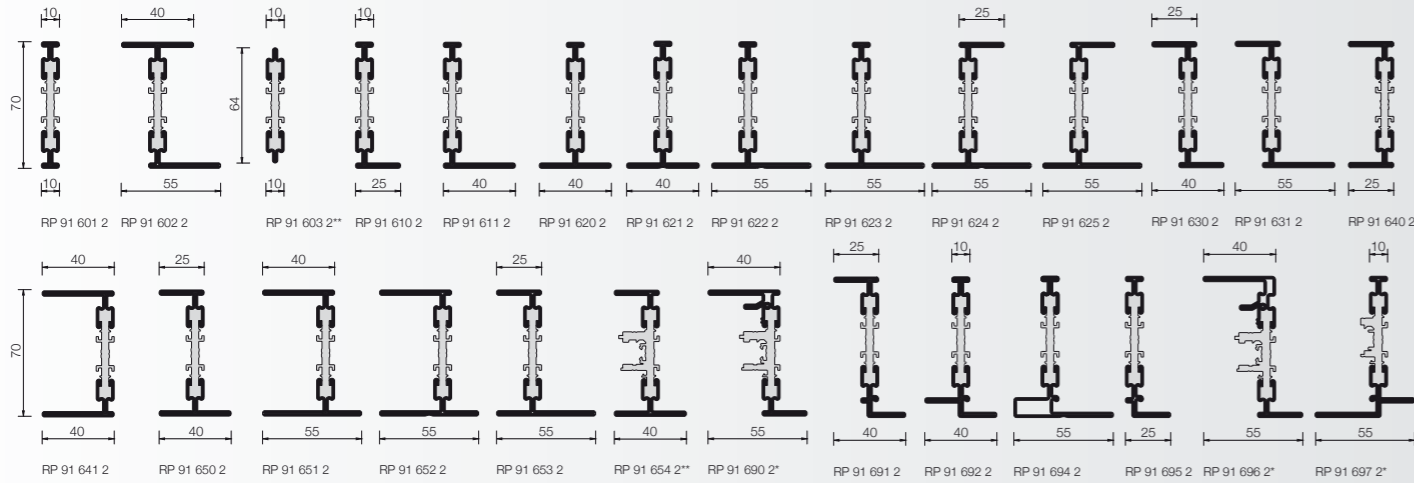


METALFORM





# RP-ISO-FINELINE

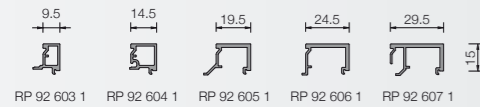


\* = available from the second quarter of 2019  
 \*\* = available from the second quarter of 2019

End digit 0 = steel S235JR rolled, 6,000 mm  
 End digit 1 = aluminium EN AW 6060, state T66, 6,000 mm  
 End digit 2 = steel S280 GD continuously hot-dip metal coated, 6,000 mm  
 End digit 3 = stainless steel 1.4401 (316), surface source material 2B, 6,000 mm  
 End digit 4 = stainless steel 1.4401 (316), outer surfaces ground, grain 400, foil-coated, 6,000 mm

\*) upon request

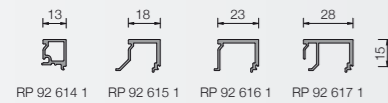
## Standard glazing beads (flush surface)



## Moulded glazing beads



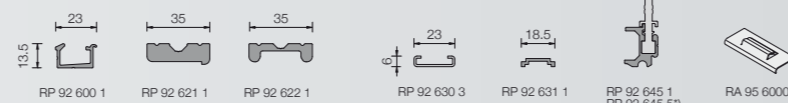
## Glazing beads (slanting)



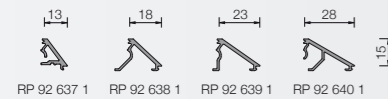
## Angle glazing beads



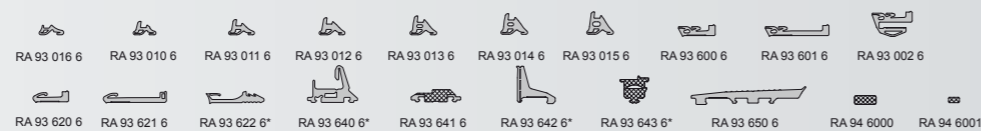
## Accessories



## Glazing beads (offset surface)

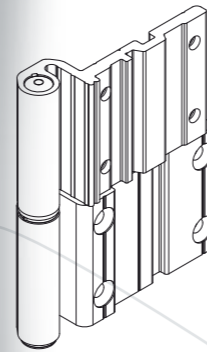


## Seals



## Window hinges

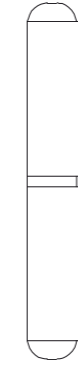
RF 1960010



RX 331368  
RX 326542



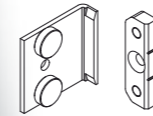
RX 331384  
RX 326569



## Accessories

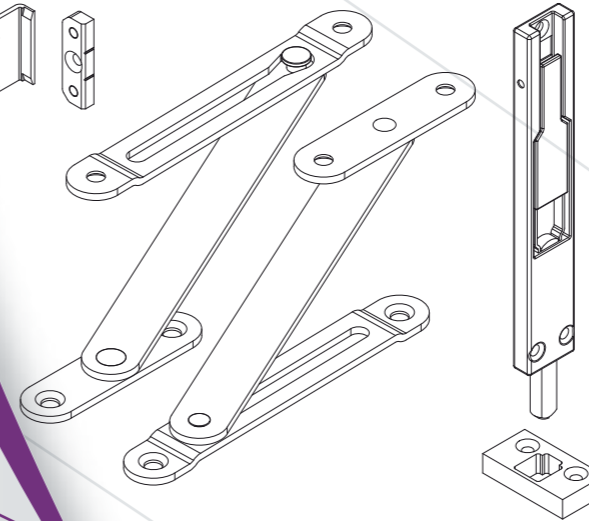
Additional lock

RF 9190020-51N



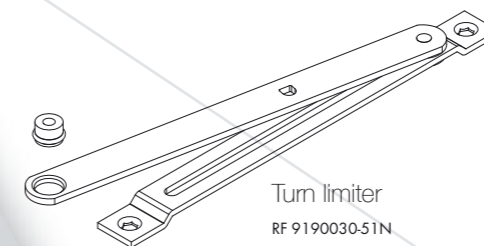
Catch retainer arm and detachable tilt retainer arm for cleaning

RF 9140020-51N



Secondary leaf locking

RF 9190010-51N

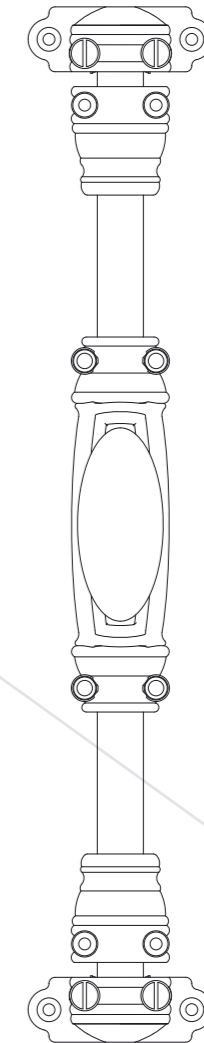


Turn limiter

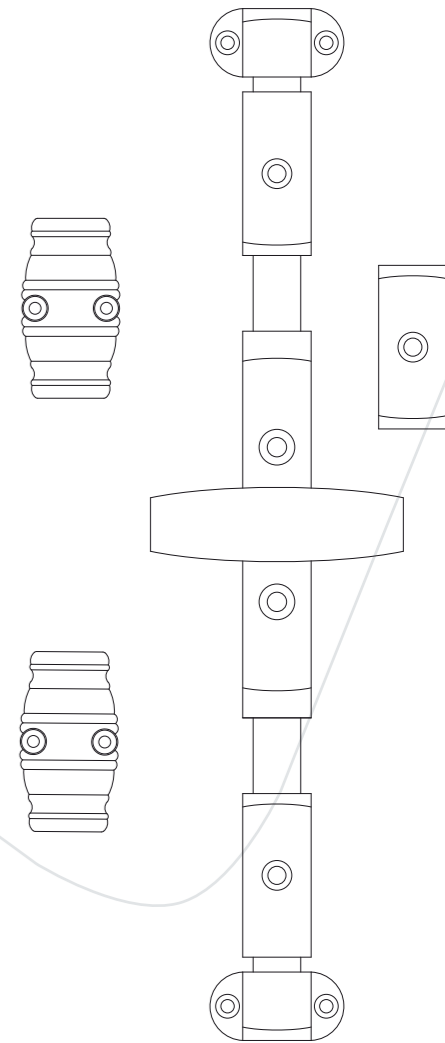
RF 9190030-51N

## Overlying fittings

193 360



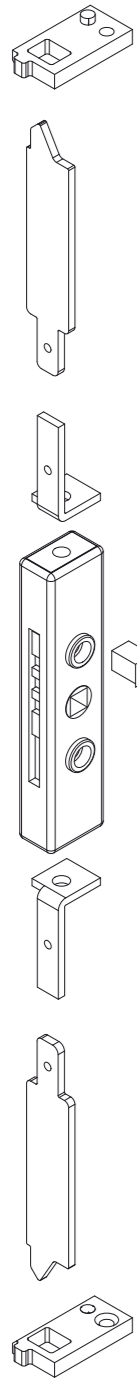
915 140



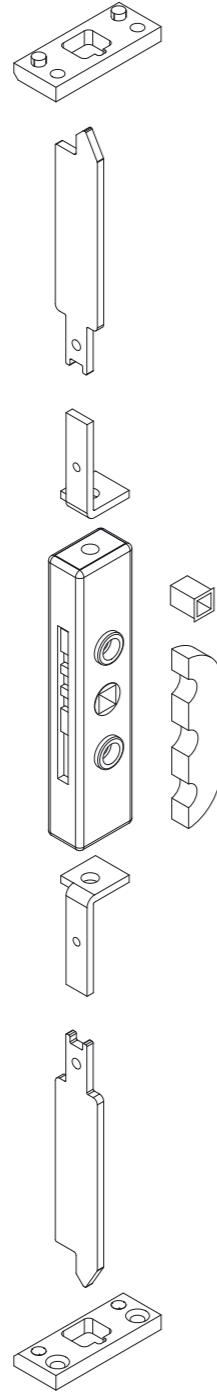
# METALFORM

## Concealed fittings

Rotating sash  
RF 9120010-51N  
RF 9120020-51N

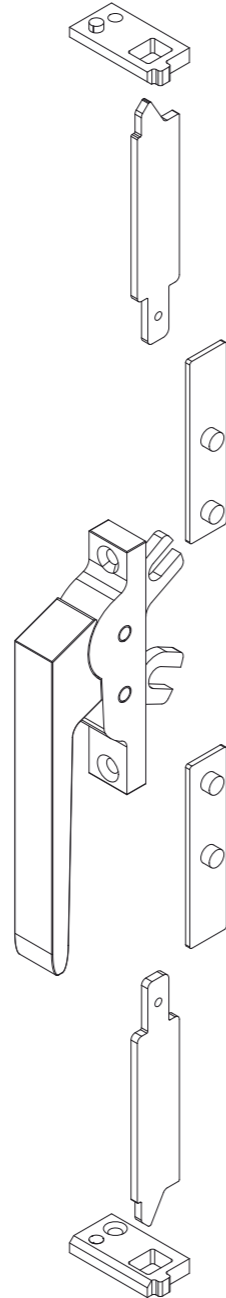


Double vent window  
RF 9130010-51N

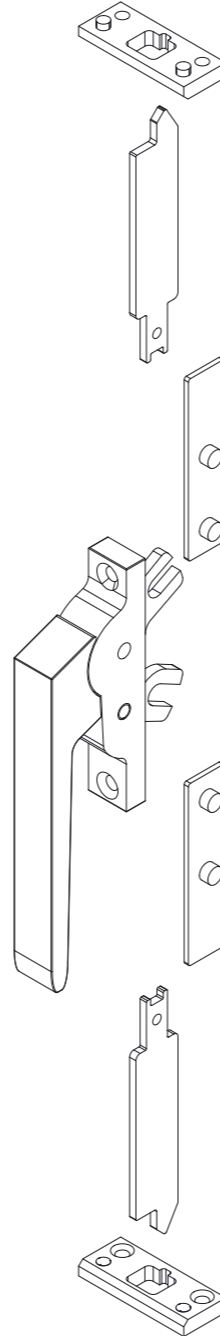


## Lever fitting

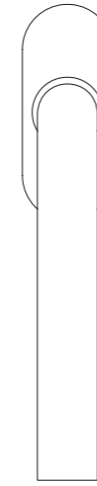
Rotating sash  
RF 9120040-51N



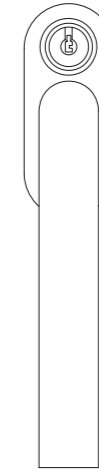
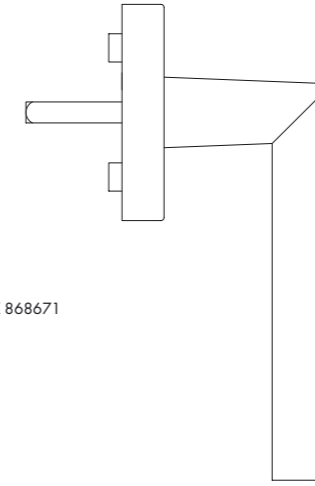
Double vent window  
RF 9130040-51N



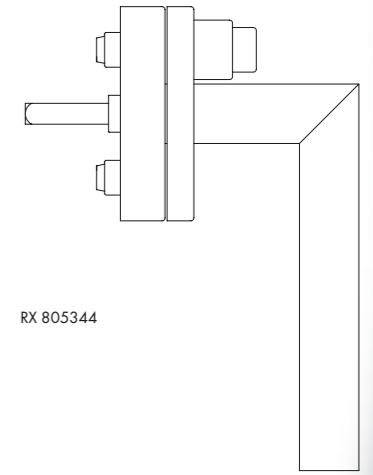
## Window handles for concealed fittings



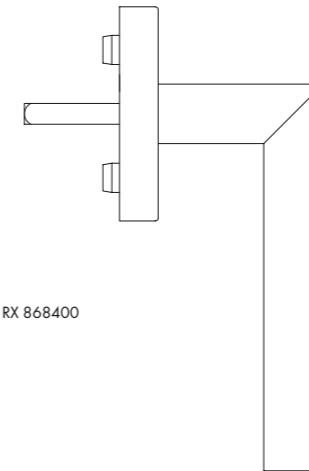
RX 868671



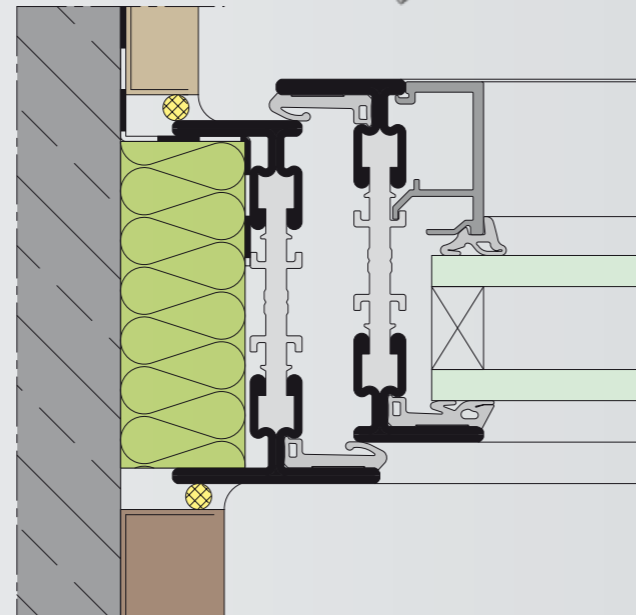
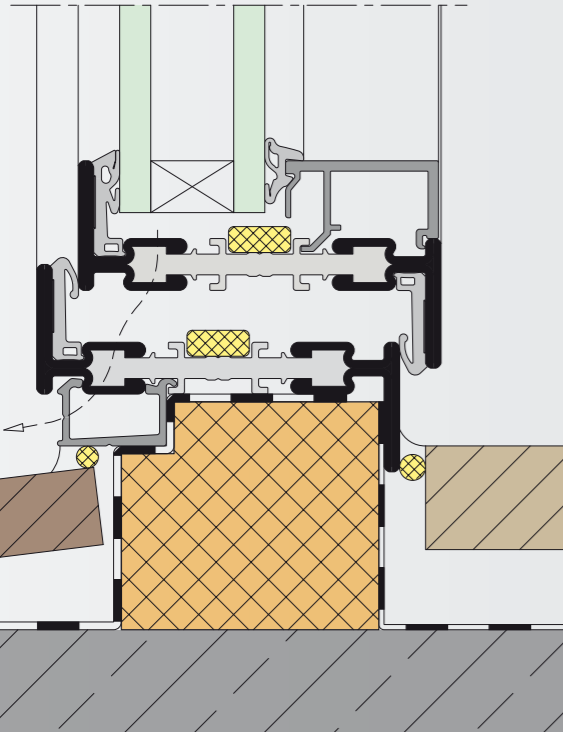
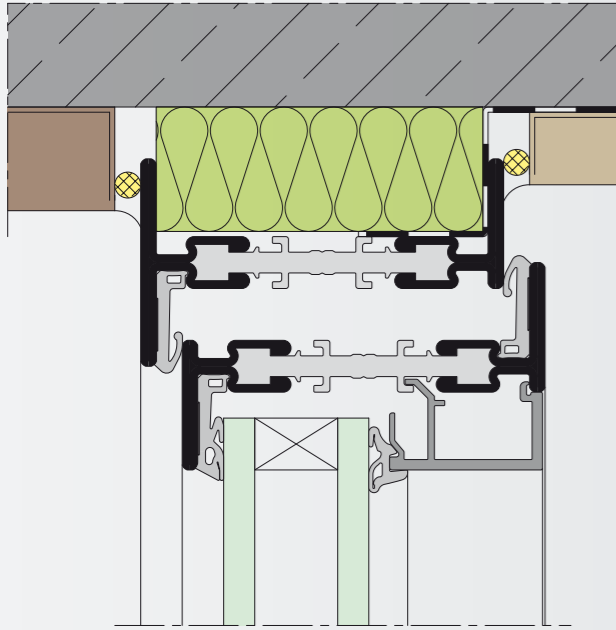
RX 805344



RX 868400



# METALFORM



# METALFORM

Section A-B  
Alternative with standard glazing bead

Section A  
Alternative with slanted glazing bead

Section G-H

RP-ISO-hermetic 70  
door with glazing bar

Section J

2 Turning leaves  
with fixed frame  
crossbar inwards

Section K

Section B  
Alternative with  
concealed fitting

Section A-B alternative (sash concealing)  
Alternative with offset glazing bead

Section L

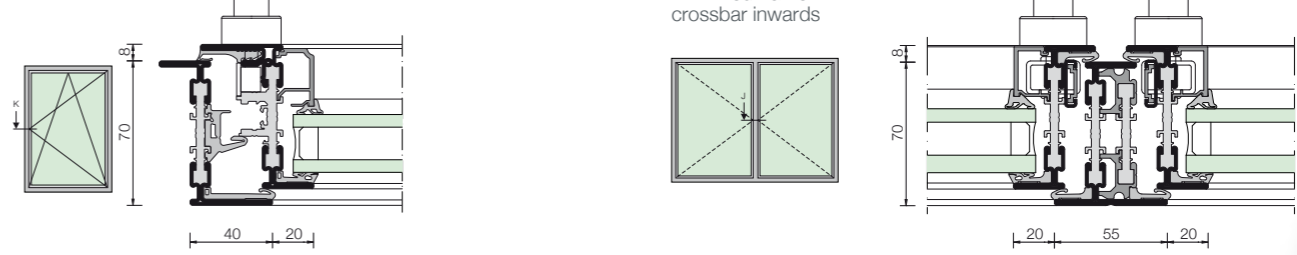
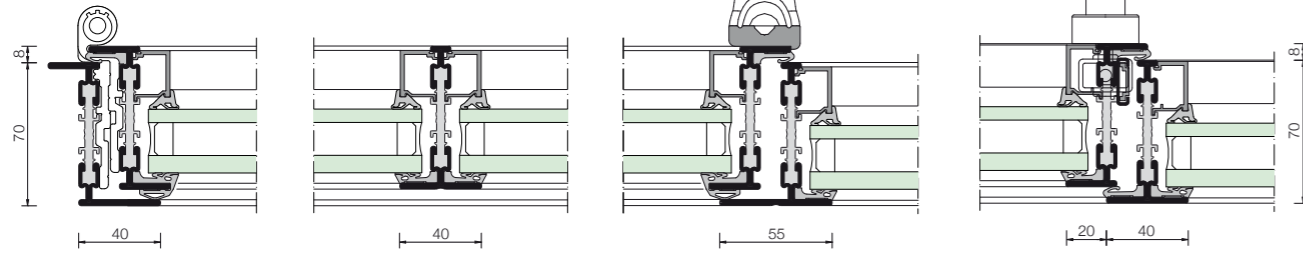
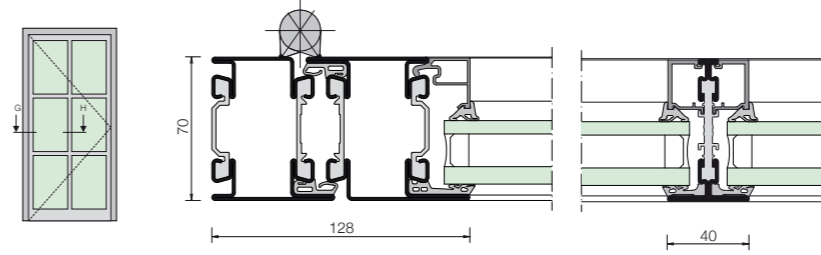
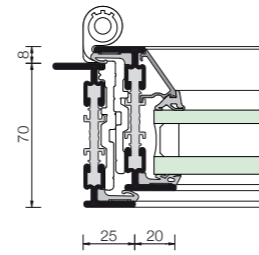
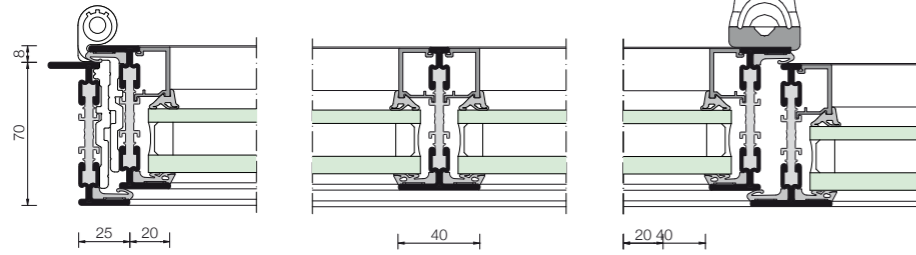
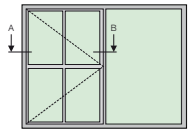
Section M

Section F

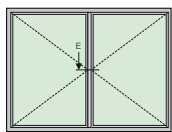
Section E  
alternative

Section E

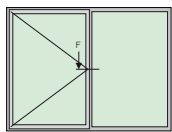
Rotating sash with  
side panel inwards



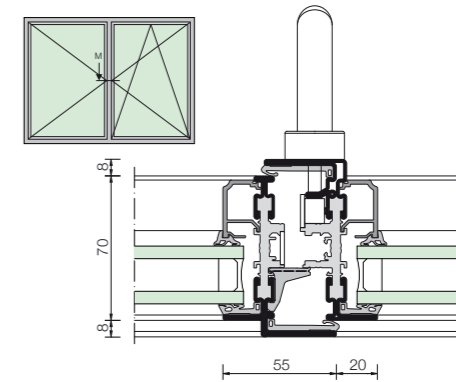
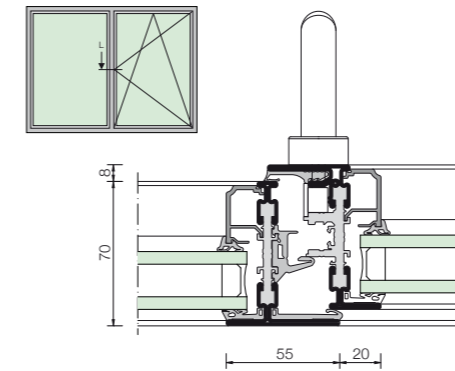
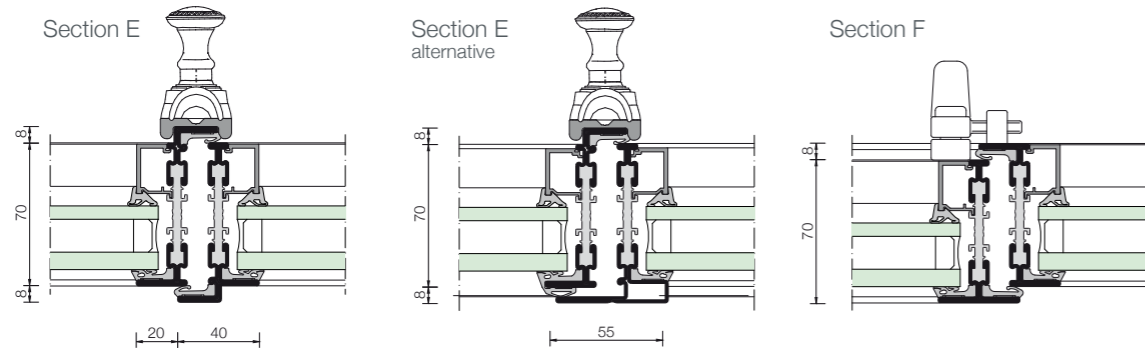
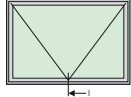
Double casement leaf  
centre meeting stile inward



Rotating sash outwards  
with side panel



Top-hung window



# METALFORM

**MASTERS OF METAL**

**UNITED KINGDOM**  
**METALFORM**  
**NORWAYMETAL LTD**  
53 Chelsea Manor Street  
London, SW3 5RZ  
**SALES@METALFORM.UK**  
**+44 20 81298814**

**GERMANY**  
**METALFORM GMBH**  
Carl-Zeiss-Ring 15A  
85737 Ismaning  
**SALES@METALFORMGROUP.DE**  
**+49 17663630406**

**NORWAY**  
**METALFORM AS**  
Brochmannsveien 2  
1950 Rømskog  
**SALG@METALFORM.NO**  
**+47 401 62 446**

**METALFORMGROUP**  
**SALES@METALFORMGROUP.COM**